

COMPACT TRACK LOADER

TAKEUCHI

From World First to World Leader

TL8



Product Features & Specifications

ENGINE

- U.S. EPA Final Tier 4 Emission Compliant
- Turbocharged
- DOC+DPF Exhaust After Treatment
- Active Power Control Power Management System
- Working Modes - Power and ECO
- Automatic Fuel Bleed System
- High Capacity Radiator, Hydraulic Oil Cooler and Intercooler Mounted Side-by-Side on Swing Out Frame
- Dual Element Air Filter, with Pre-Cleaner

ELECTRICAL

- Multi-Informational Display
- Sealed Rocker Switches
- 12 volt System with 60 amp Alternator
- Halogen Work Lights, Front and Rear
- Engine Preheat
- Hour Meter
- Back-up Alarm
- Horn

TAKEUCHI FLEET MANAGEMENT

- 2 Year Standard Service
- Minimize Downtime
- Remote Diagnostics
- Utilization Tracking
- Proactive Maintenance
- Control Costs

UNDERCARRIAGE AND FRAME

- Permanently Sealed Track Rollers with Metal Face Seals
- Fully Welded Frame with Integrated Cross Members
- Front and Rear Tie-Down and Lift Points
- Two-Speed Travel
- 15.7" Rubber Track with Integrated Steel Cables and Forged Steel Inserts
- 12.6" Rubber Track with Integrated Steel Cables and Forged Steel Inserts (optional)

OPERATOR'S STATION

- Tilt-up Operator's Station
- Deluxe High Back Adjustable Suspension Seat
- Rear Pivoting Seat Bar with Integrated Arm Rest
- ROPS / FOPS Structure
- Retractable 2" Seat Belt
- Retractable 3" Seat Belt (optional)
- 3 Point Retractable Seat Belt (optional)
- Pressurized Cab with Roll-up Door, A/C, Heat, Defrost and Front Wiper (optional)
- AM/FM/MP3 Radio with NOAA Weatherband (optional)
- Polycarbonate Door and Top Guard (High Flow Only)

HYDRAULIC & WORKING EQUIPMENT

- Cushioned Boom Cylinders
- Boom Float with Detent
- Hydraulic Pilot Controls
- Proportional Auxiliary Controls with Detent
- Pressure Relieving Flat Faced Coupler Body
- 14-Pin Connector with Push Button Control
- Hydraulic Self Leveling
- Mechanical Quick Coupler
- Hydraulic Quick Coupler
 - Cab - Standard Equipment
 - Canopy - optional
- High Flow Auxiliary Hydraulics 33 gpm
 - Cab Only - optional
- Pattern Change Valve (ISO or H) (optional)



Convenient Service and Maintenance Access



Integrated Undercarriage

TOUGH, RUGGED, EFFICIENT



Fully Welded Frame



Steel on Steel



Active Power Control



HD Cooling Module

Powerful and efficient, the TL8 is engineered to provide excellent maneuverability, performance, and value. The heavy duty cross member, two-speed travel, and hydraulic self-leveling are standard equipment on the TL8. Operator controls include a multi-function display, hydraulic pilot controls, foot throttle, and a high back suspension seat. The TL8 provides ample space and comfort for your time on the job.

The TL8 offers a heavy duty rear door that swings out providing access to the high capacity cooling module while the tilt back cab / canopy provide access to the clustered engine oil filter, primary, and secondary fuel filters, pump group, control valve, and pilot line filter. Takeuchi quality and functionality ensures the TL8 will deliver many years of trouble free service in the most extreme conditions.



Spacious operator's platform with easy to reach controls and switches.

OPERATING PERFORMANCE

Operating Weight - Canopy	8,455 lb	(3,835 kg)
Cab	8,631 lb	(3,915 kg)
Tipping Load	6,020 lb	(2,731 kg)
Rated Operating Capacity, SAE J818*	2,105 lb	(955 kg)
w/ Optional Counter Weight	2,323 lb	(1,054 kg)
Operating Load at 50% of Tipping Load	3,010 lb	(1,365 kg)
Bucket Breakout Force	6,856 lb	(3,110 kg)
Lift Arm Breakout Force	6,709 lb	(3,100 kg)
Traction Force	9,127 lb	(4,140 kg)
Ground Pressure - 15.7" Track	4.4 psi	(30.2 kPa)
Ground Pressure - 12.6" Track	5.4 psi	(37.2 kPa)
Travel speed - Low	4.6 mph	(7.4 km/hr)
High	6.8 mph	(11.0 km/hr)

*Operating capacity of track loaders is rated according to SAE J818 at no more than 35% of the tipping load.

ENGINE

Make / Model	Kubota / V3307-CR-Turbo	
Engine Displacement	203 cu in	(3.3 L)
Horsepower @ 2,600 rpm	74.3 hp	(55.4 kW)
Maximum Torque @ 1,500 rpm	192 ft-lb	(260 Nm)

FLUID CAPACITIES

Engine Lubrication	11.2 qt	(11.8 L)
Cooling System	14.8 qt	(14.0 L)
Fuel Tank Capacity	19.8 gal	(75.0 L)
Fuel Consumption (65% of Full Load)	2.69 gal/hr	(10.2 L/hr)
Hydraulic Reservoir Capacity	10.3 gal	(39.0 L)
Hydraulic System Capacity	15.3 gal	(58.0 L)

HYDRAULIC SYSTEM

Auxiliary Flow - Primary Circuit	18.4 gpm	(69.5 Lpm)
Auxiliary Flow - High Flow (optional)	33.0 gpm	(124.9 Lpm)
Hydraulic System Pressure	3,046 psi	(21.0 MPa)



LCD Display



Pilot Operated Controls



Roll Up Door



Double Reduction Drives

ATTACHMENTS

Takeuchi now offers attachments for all of your Takeuchi equipment. See your authorized Takeuchi dealer for additional information and attachment options.



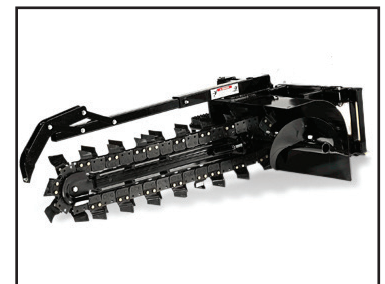
Grapple - Scrap



Dozer Blades

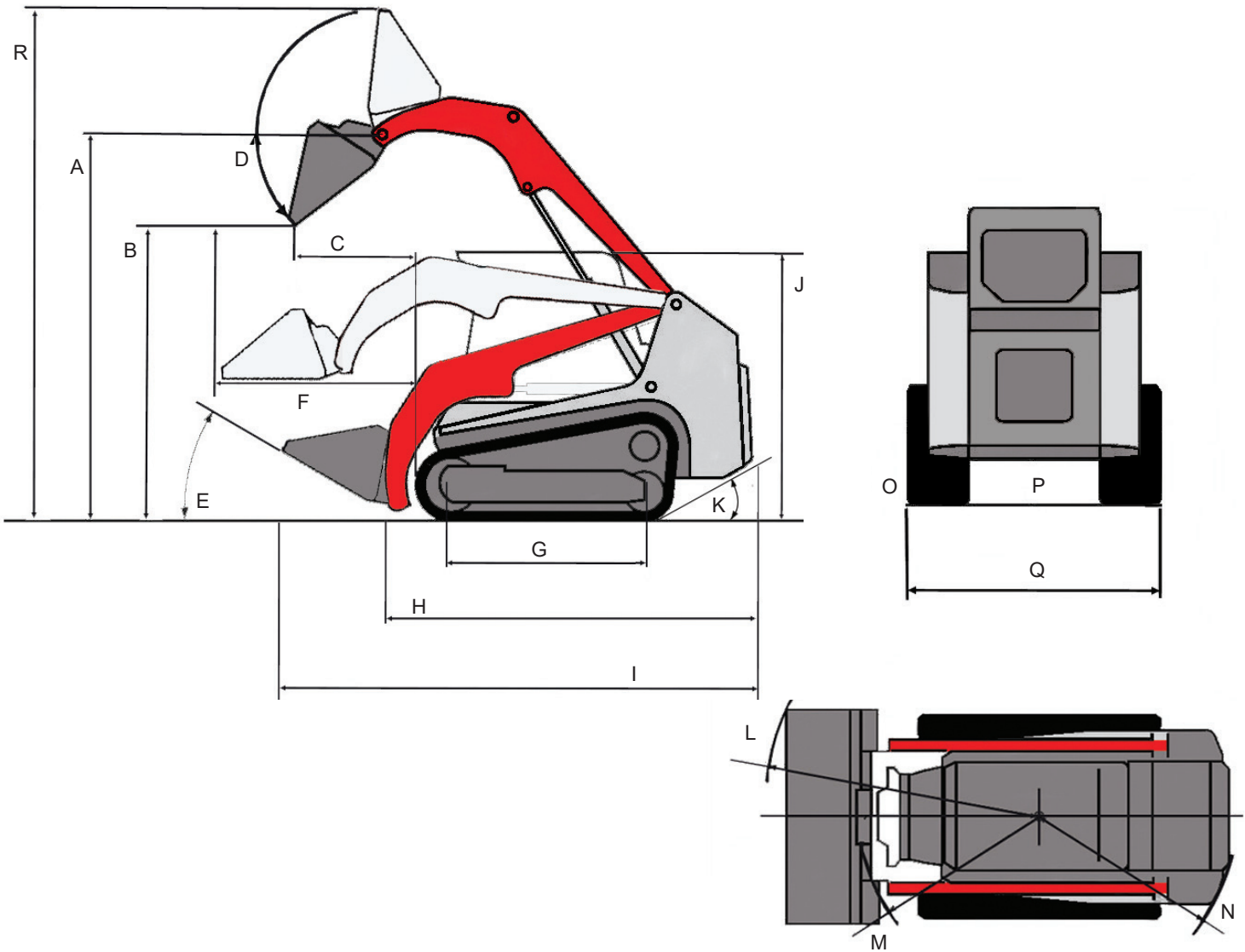


Pallet Forks



Trenchers

TL8 Compact Track Loader



MACHINE DIMENSIONS

A	Maximum Lift Height to Bucket Pin	9 ft 11.0 in	(3,030 mm)
B	Dump Height Fully Raised	7 ft 9.0 in	(2,370 mm)
C	Dump Reach Fully Raised	2 ft 4.7 in	(730 mm)
D	Dump Angle	38.5°	
E	Rollback Angle	30°	
F	Mid-Hight Reach	4 ft 6.3 in	(1,412 mm)
G	Track Ground Contact Length	4 ft 6.7 in	(1,390 mm)
H	Machine Length	8 ft 11.8 in	(2,740 mm)
I	Transport Length	11 ft 3.0 in	(3,400 mm)
J	Transport Height	6 ft 11.9 in	(2,130 mm)
K	Departure Angle	30°	
L	Clearance Circle with Bucket	6 ft 10.0 in	(2,080 mm)
M	Clearance Circle without Bucket	4 ft 6.0 in	(1,375 mm)
N	Clearance Circle Rear	5 ft 2.4 in	(1,585 mm)
O	Track Width	15.7 in	(400 mm)
P	Ground Clearance	12.1 in	(310 mm)
Q	Overall Width without Bucket	5 ft 5.4 in	(1,660 mm)
R	Overall Operating Height	12 ft 9.7 in	(3,905 mm)



2 YEAR
2,000 HOUR
FULL MACHINE
WARRANTY



© 2016 Takeuchi Manufacturing (U.S.), Ltd. All Rights Reserved. Printed in the U.S.A.
In accordance with our established policy of continued improvement, specifications and features are subject to change without notice. Pictures may show options other than standard equipment.

FORM: TL8 Compact Track Loader Spec Sheet- Dec. 2016 - (TFM) s/n (CAB) 200803863 ~
(TFM) s/n (CNP) 200803984 ~

TAKEUCHI
From World First to World Leader