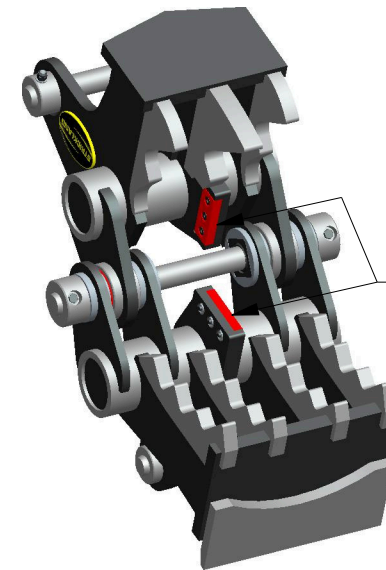
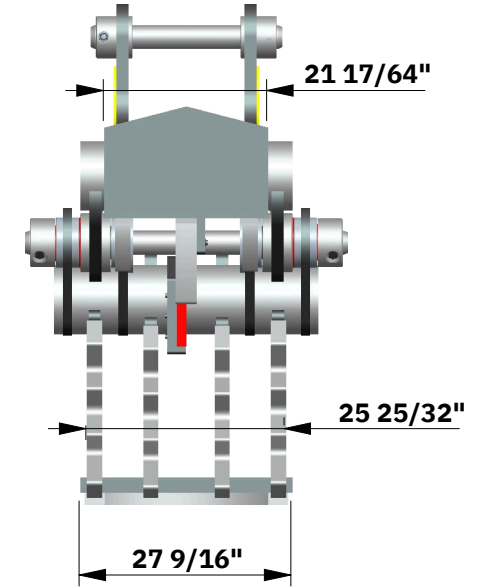
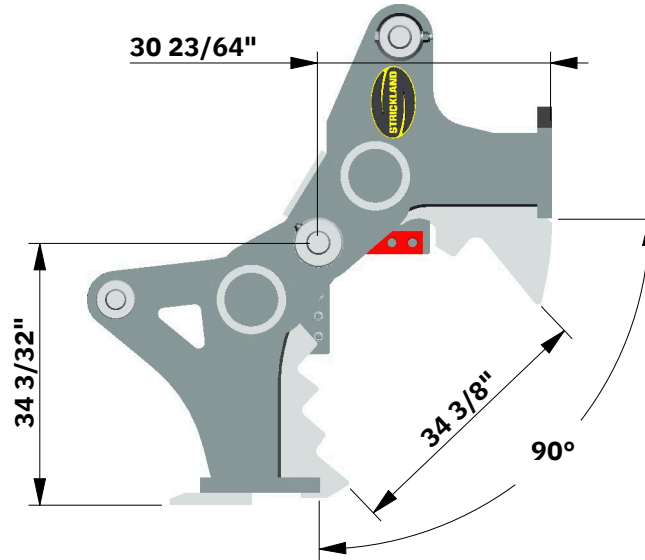




**RHINO
MACHINERY**

Where Heavy Equipment Is Bought and Sold



REPLACEABLE
REBAR CUTTERS

TOTAL WEIGHT : 3373 LB

RHINO MACHINERY

5830 State Hwy 71, La Grange, Texas, 7894

Tel: 979-242-5881

Email: sales@rhinomachinery.com

WWW.RHINOMACHINERY.COM



DESCRIPTION:

PRICE: \$24,360

CP40 - DIRECT MOUNT PULVERISER

NOTE :

DESIGN MAY CHANGE DUE TO CONTINUOUS DEVELOPMENT OF PRODUCTS