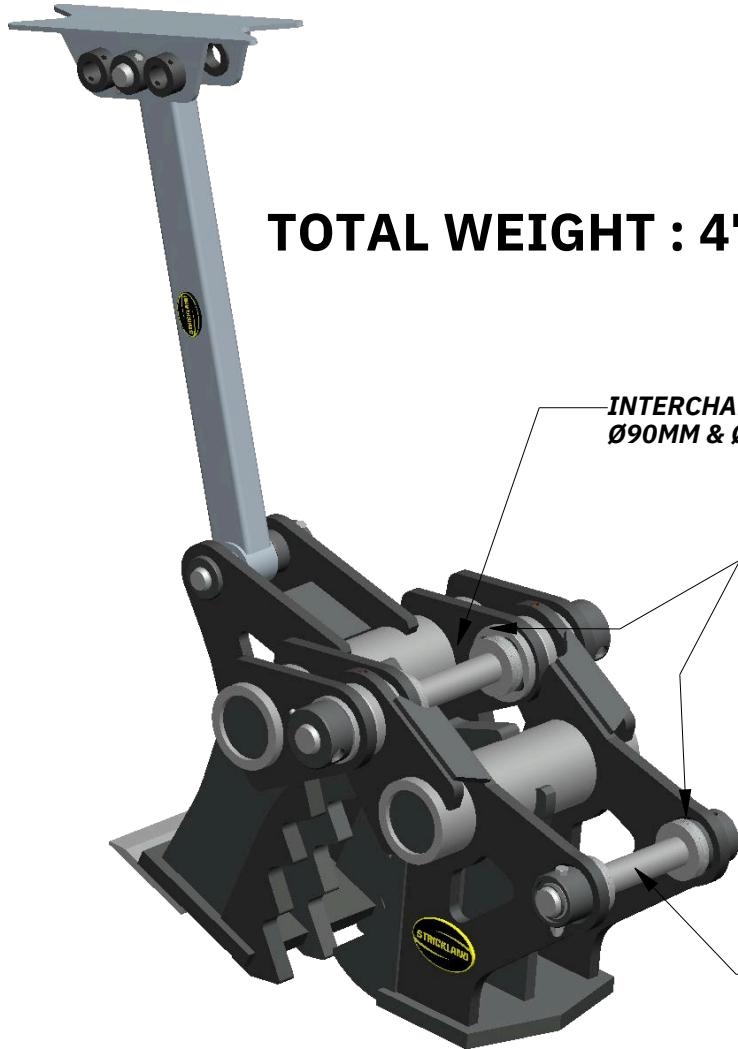




**RHINO
MACHINERY**

Where Heavy Equipment Is Bought and Sold

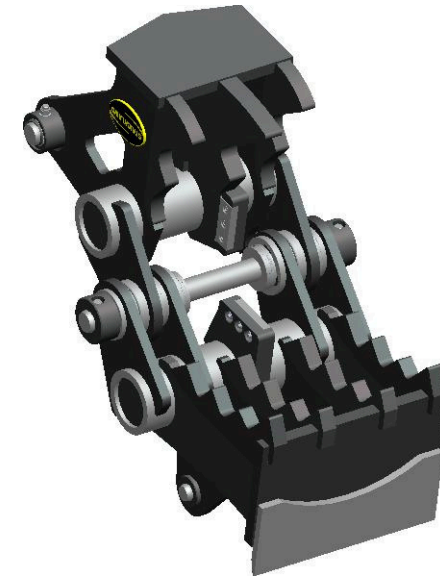
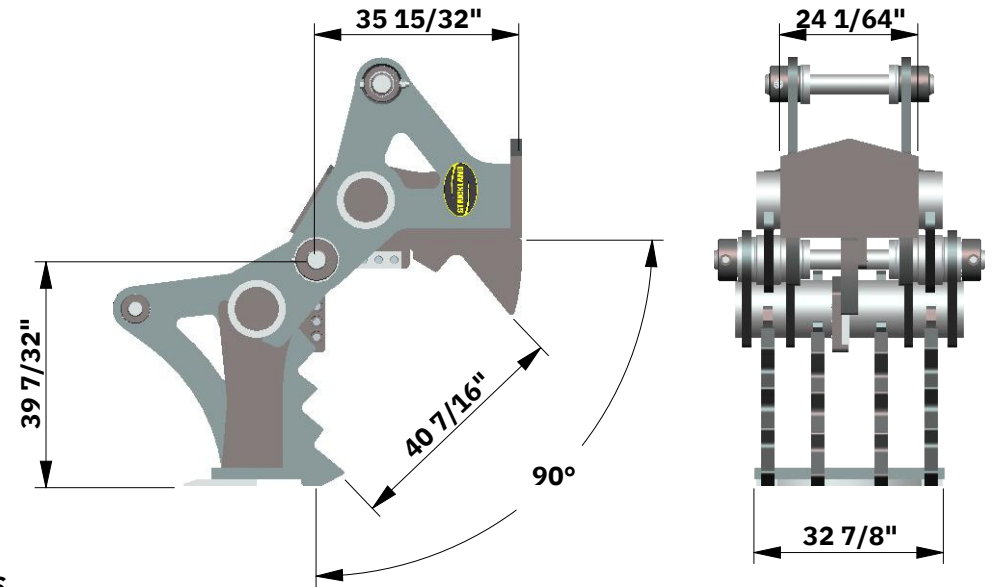


TOTAL WEIGHT : 4762 LB

*INTERCHANGABLE MAIN PIN
Ø90MM & Ø100MM PIN OPTIONS*

MULTI-FITMENT SPACER KITS

*INTERCHANGABLE ARM PIN
Ø90MM & Ø100MM PIN OPTIONS*



RHINO MACHINERY

5830 State Hwy 71, La Grange, Texas, 7894

Tel: 979-242-5881

Email: sales@rhinomachinery.com

WWW.RHINOMACHINERY.COM



DESCRIPTION:

PRICE: \$32,480

CP60 30-40 TON PULVERISER - Ø90 - Ø100 PIN OPTION

NOTE :
DESIGN MAY CHANGE DUE TO CONTINUOUS DEVELOPMENT OF PRODUCTS