



**RHINO
MACHINERY**

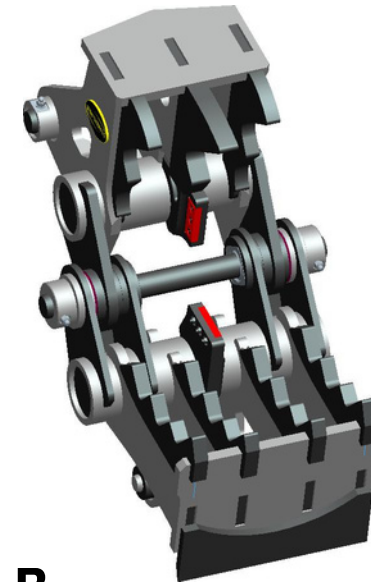
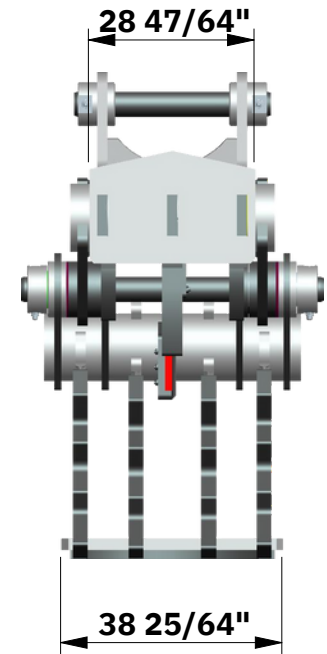
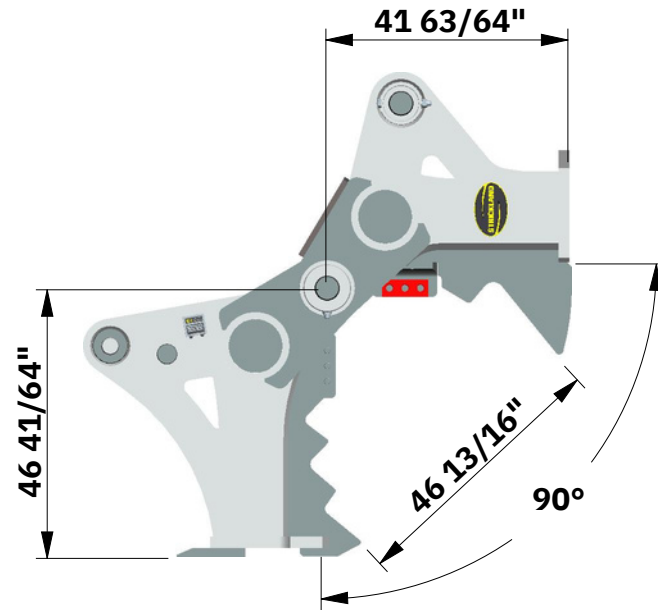
Where Heavy Equipment Is Bought and Sold



INTERCHANGABLE MAIN PIN KITS
Ø 110MM & Ø100" PIN OPTIONS

MULTI-FITMENT SPACER KITS

INTERCHANGABLE ARM PIN KITS
Ø110 / Ø100 / Ø90 & Ø80 PIN OPTIONS



TOTAL WEIGHT = 7033 LB

RHINO MACHINERY

5830 State Hwy 71, La Grange, Texas, 7894
Tel: 979-242-5881
Email: sales@rhinomachinery.com

WWW.RHINOMACHINERY.COM



DESCRIPTION:

PRICE:\$40,236

**40-50 TON CP80 DIRECT MOUNT
PULVERISER - SALES SHEET**

NOTE :
DESIGN MAY CHANGE DUE TO CONTINUOUS DEVELOPMENT OF PRODUCTS